

Primary Lithium Battery CR123A

3.0V [Li-MnO₂] 2/3A-size spiral cell



BENEFITS

- High Voltage Response, Stable During Most of the Lifetime of the Application
- Energy Density up to 830Wh/L
- Wide Operating Temperature Range (-40 °C ~+85 °C)
- Low Self-discharge Rate (less than 1% per year after 1 year of storage at +25 °C)

KEY FEATURES

- Optimized Battery Structure, Full Discharge Capacity
- Long Endurance
- No Passivation
- UL、RoHS Certified

MAIN APPLICATIONS

- Security System
- Smart Metering
- RFID and Tracking System
- Wireless Transmitting
- Smart Home Devices
- Military Devices

References Data

Electrical characteristics

Open circuit voltage (at 23±2°C) **≥3.10V**

Nominal capacity **1600mAh**

(At +25°C, battery discharged at continuous current 1mA until voltage reaches cut-off voltage 2.0V. The capacity can vary at different temperature, discharge current or cut-off voltage.)

Maximum continuous current **1500mA**

(At +25°C, 2.0V cut-off, battery discharged for minimum 50% of rated capacity.)

Maximum pulse discharge current **3000mA**

(At +25°C, 2.0V cut-off, battery discharged for minimum 50% of rated capacity with max pulse for 3 seconds after 27 seconds break. The discharged capacity may vary according to the pulse characteristics, the temperature, and the cell's previous history. Fitting the cell with a capacitor may be recommended in severe conditions. Consult HCB.)

Storage (recommended) **≤+30°C**

(For more severe conditions. Consult HCB) **≤75%RH**

Operating temperature range **-40°C~+85°C**

(Operation above ambient temperature may lead to reduced capacity and lower voltage readings at the beginning of pulses. Consult HCB.)

HCB BATTERY CO., LTD

Add: Special No 1. Taizhong Avenue, Gaoqiao Industrial Park, Wujiashan Economic Development Zone, Wuhan, P.R.China

P.O.: 430040
Tel: +86(0)27 83248452
Fax: +86(0)27 83248455

Email: haocheng@cnhcb.com
Web: www.cnhcb.com
No.: HCB-MKT.PM-S[V2.0 2018 02]

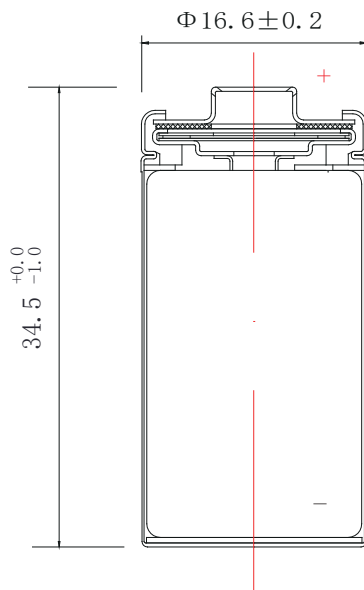
Primary Lithium Battery CR123A

3.0V [Li-MnO₂] 2/3A-size spiral cell

Physical characteristics

Diameter	16.6±0.2mm
Height	34.5 +0.0/-1.0mm
Typical weight	20.0g
Li metal content	0.54g

MSDS as per request
Diode (1N4007, 1N5819)
PTC (SRS175...)
Tag, wire, connector, etc. available



Dimensions in mm (GB1804-m)

WARNING:

- Do Not Short Circuit
- Do Not Recharge
- Do Not Puncture
- Do Not Crush
- Do Not Dismantle
- Do Not Incinerate
- Do Not Mix New and Used Batteries
- Do Not Heat Above 100°C

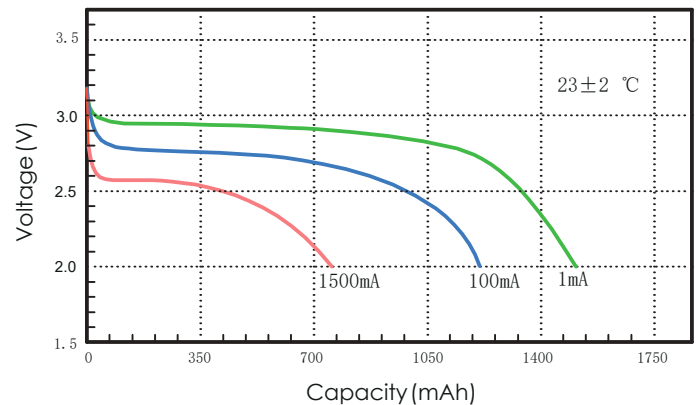
HCB BATTERY CO., LTD

Add: Special No 1. Taizhong Avenue, Gaoqiao Industrial Park, Wujiashan Economic Development Zone, Wuhan, P.R.China

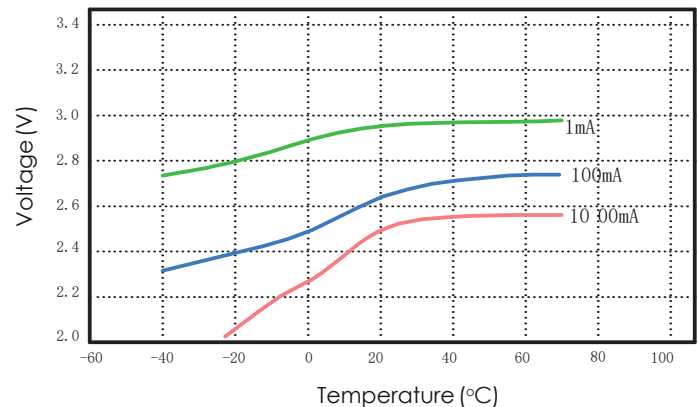
P.O.: 430040
Tel: +86(0)27 83248452
Fax: +86(0)27 83248455

Email: haocheng@cnhcb.com
Web: www.cnhcb.com
No.: HCB-MKT.PM-S[V2.0 2018 02]

1. Typical discharge profiles at 23±2°C (at mid-discharge)



2. Typical discharge profiles with different current (at discharge stable phase)



3. Storage characteristics

